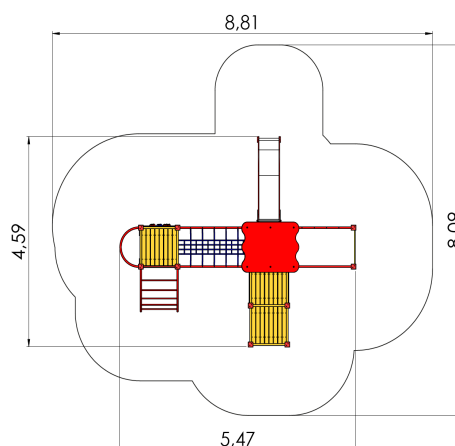


# LM205 Play Centre REBECCA

<http://www.tiptap.ee/en/products/playgrounds/play-centres/play-centre-rebecca-lm205>



## **Technical information:**

Width of structure: 4.59m

Length of structure: 5.47m

Height of structure: 2.97m

Max. fall height: 2.25m

Recommended age of users: 4+

For simultaneous use by several children: 8-16

## **Product consists of:**

Platforms: 1pc height 1.55m

Platforms: 1pc height 1.2m

Platforms: 1pc height 0.95m

Roofs: 1pc

Slides: 1pc height 1.2m

Climbing walls: 1pc

Climbing nets: 1pc

Ladders: 1pc

Bridges: 1pc

Fireman poles: 1pc

Play corners: 1pc

Ladders: 1pc

Tuletõrjetorude arv: 1pc

Safety area width: 8.09m

Safety area length: 8.81m

Ground fixings: The product's painted profile posts made of laminated timber are concreted into the ground using hot-galvanized metal tubular fittings.

Safety area: Yes

[View materials](#)

## **Product description:**

A playvillage with four platforms is meant for all-round active activities of children at the age of 4-15 years. To go up children use first low platform what is 0,7m high. The equipment includes a 0,75 m

wide cable bridge with metal banisters which is located between laminated timber posts, a 1,45 m wide and 2,1 m high climbing net, a second platform where a ship captain`s helm is installed, a third platform with a roof, a 1,2m high sliding channel and seals under which there is a thematic play room with a kitchen corner. The cable bridge with metal banisters takes to the highest fourth platform to the sides of which a 2 m high arched metal climbing beam/ladder for climbing, a 2,4 m high slide pipe and a 2,2 m high climbing wall with gripping holes (cheese wall) have been attached. Under the platform, there is a colored holed sheet for creeping through. The equipment is attached to laminated timber posts which are fixed to the ground by concreting. Sand or rubber safety tiles are recommended all over the safety area.