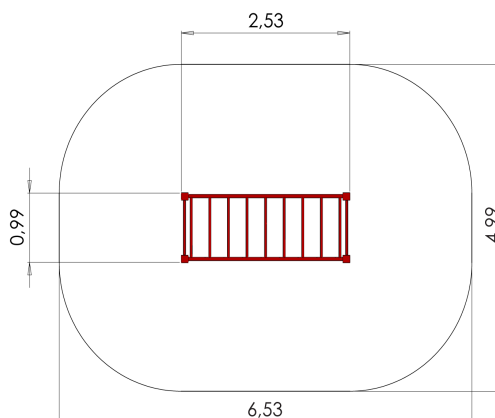
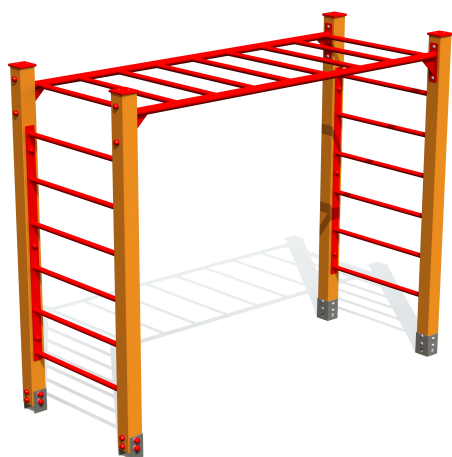


RS111 Climbing frame LADDER

<http://www.tiptiptap.ee/en/products/playgrounds/climbing-frames/climbing-frame-ladder-rs111>



Technical information:

Width of structure: 0.99m

Length of structure: 2.53m

Height of structure: 2.2m

Max. fall height: 2.1m

Recommended age of users: 4+

For simultaneous use by several children: 3-6

Product consists of:

Safety area width: 4.99m

Safety area length: 6.53m

Ground fixings: The product's painted rectangular posts made of laminated timber are concreted to into the ground using hot-galvanized metal U-fittings.

Safety area: Yes

[View materials](#)

Product description:

A climbing frame is meant for children at the age of 4 years. It is possible to climb over the equipment by the rungs or hang.

Recommended surface for the safety area: sand or rubber tiles.