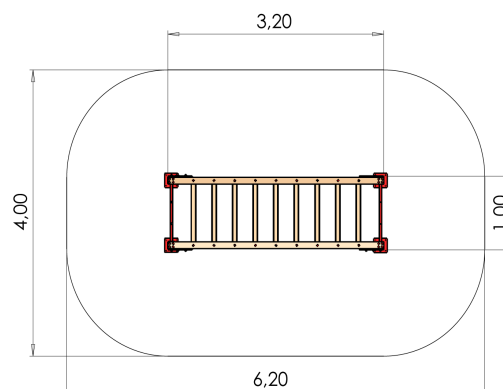
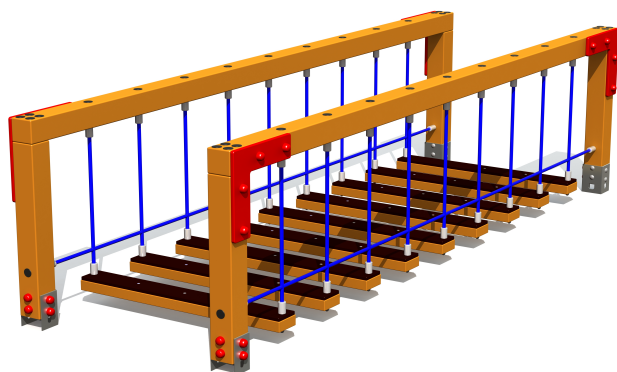


RS113 Balance bridge

<http://www.tiptiptap.ee/en/products/playgrounds/balancing-and-exercise/balance-bridge-rs113>



Technical information:

Width of structure: 1m

Length of structure: 3.2m

Height of structure: 0.88m

Max. fall height: 0.14m

Recommended age of users: 4+

For simultaneous use by several children: 4-8

Product consists of:

Safety area width: 4m

Safety area length: 6.2m

Ground fixings: The product's painted rectangular posts made of laminated timber are concreted to into the ground using hot-galvanized metal U-fittings.

[View materials](#)

Product description:

A Balance track is meant for children at the age of 4-8 years and is intended to develop childrens active physical skills.